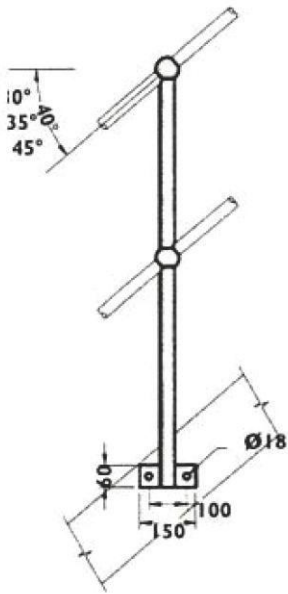


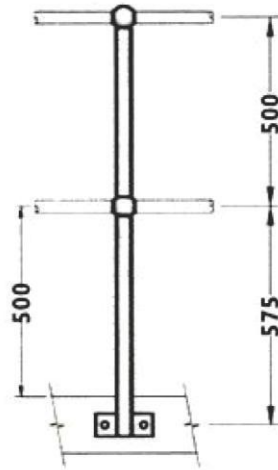
# NATAL STAINLESS STEEL

## Handrail Systems

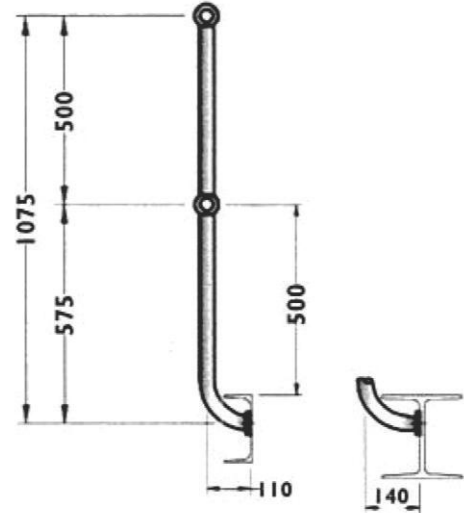
Specifications: Ball -  $\varnothing 65\text{mm}$ , Stanchion -  $\varnothing 38.1\text{mm} \times 1.5\text{mm}$ , Handrail  $\varnothing 31.75\text{mm} \times 1.5\text{mm}$



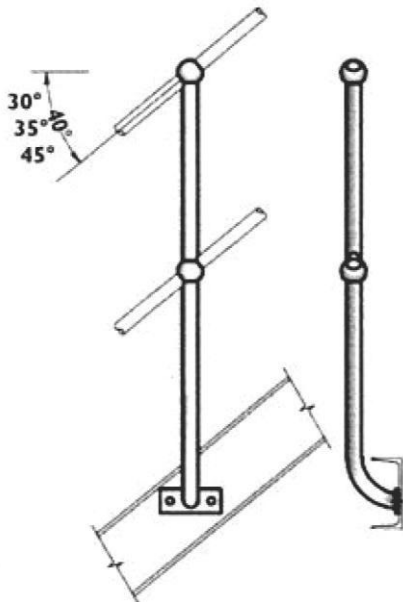
**40° SM L/R**  
**SIDE / MOUNT**  
 PLEASE SPECIFY  
 LEFT OR RIGHT



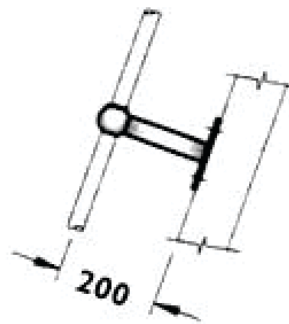
**90° SM**  
**SIDE / MOUNT**



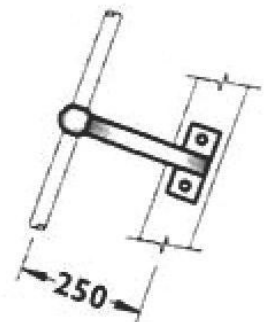
**90° GN**  
**GOOSE NECK**  
**STD 110 mm OFFSET**  
 PLEASE SPECIFY 140mm OFFSET



**40° GN L/R**  
**GOOSE NECK**  
**STD 110 mm OFFSET**  
 PLEASE SPECIFY | 40 mm OFFSET  
 & LEFT OR RIGHT



**90° TM 200**  
**TOP MOUNT**



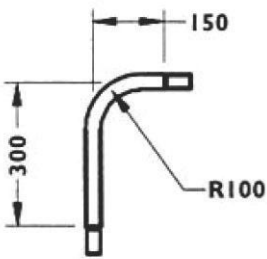
**90° SM 250**  
**SIDE MOUNT**



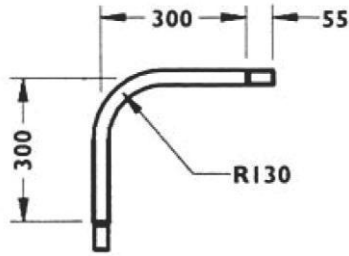
# NATAL STAINLESS STEEL

## Handrail Systems

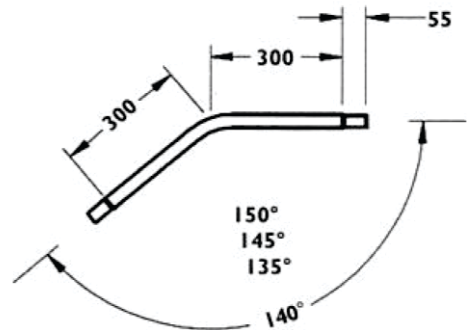
All Bends & Closures are made of 31.75 x 1.5mm Tube in Stainless Steel Grades 316, 304, 409, "SW" denotes Swage (reduced ends), Please specify if no Swage required.



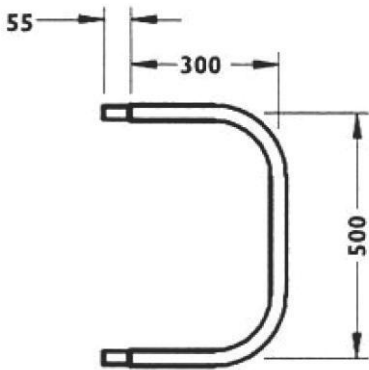
**90° S/R BEND SW**  
**SHORT RADIUS**



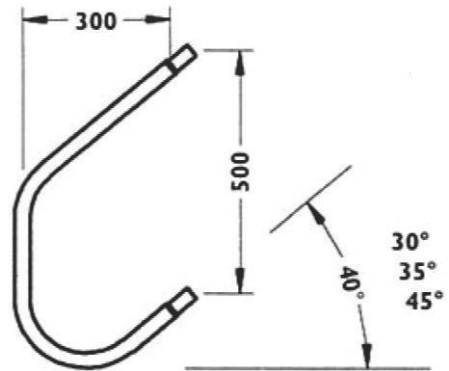
**90° L/R BEND SW**  
**LONG RADIUS**



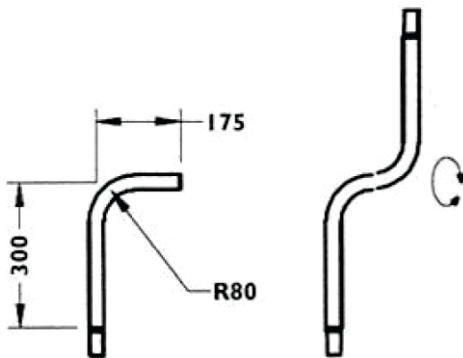
**14° RAMP BEND SW**



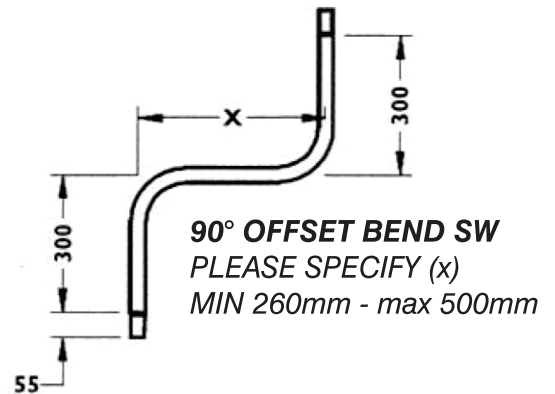
**90° CLOSURE SW**



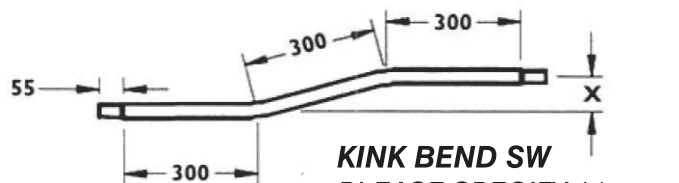
**40° CLOSURE SW**



**90° T/R BEND SW**  
**TIGHT RADIUS STAIR RETURN BENDS**



**90° OFFSET BEND SW**  
**PLEASE SPECIFY (x)**  
**MIN 260mm - max 500mm**



**KINK BEND SW**  
**PLEASE SPECIFY (x)**  
**MIN 50mm - max 260mm**

